

CARTRIDGE SOLENOID CHECK VALVE

插入式電磁止回閥

V2566/V2570 (HSV08)

V2566 (HSV08)

Description 描述

A solenoid-operated, 2-way, normally closed, piloted poppet-type, screw-in hydraulic cartridge valve, intended to act as a blocking or load-holding device for low flow circuits. When de-energized, the V2566-20 acts as a check valve, allowing flow from B to A, while blocking flow from A to B. When energized, the cartridge's poppet lifts to open the A to B flow path.

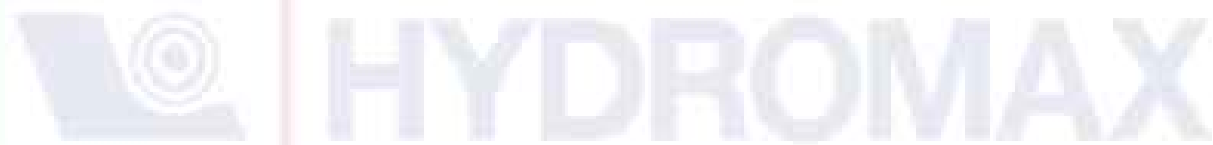
電磁驅動、2 通常閉、導控座閥式、液壓螺紋插裝閥，用作低流量油路中的截止或負載保持油設備。斷電時，V2566-20 作單向閥，允許油液從 B 流向 A，同時截止油液從 A 流向 B。通電後，插裝閥的閥芯提升，從而打開從 A 流向 B 的油液通道。

A solenoid-operated, 2-way, normally closed, poppet-type, bi-directional blocking, direct-acting, screw-in hydraulic cartridge valve for low leakage in load-holding applications. When de-energized, the V2570-28 blocks flow in both directions. When energized the poppet opens to allow flow in both directions.

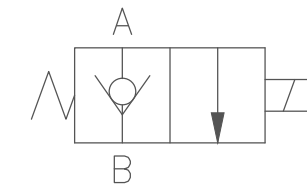
電磁驅動、2 通、常閉、座閥式、雙向截止、液壓螺紋插裝閥，用於要求低泄漏的負載保持應用。斷電時，V2570-28 截止油液雙向流動。通電後，閥芯打開，允許油液從 A 流向 B，以及從 B 流向 A 流動。

A solenoid-operated, 2-way, normally open, internally piloted, poppet-type, bi-directional blocking, screw-in hydraulic cartridge valve, designed for low leakage in load-holding applications. When de-energized, the V2570-29 allows flow in both directions. When energized, the valve's poppet closes on its seat, blocking flow from A to B or B to A.

電磁驅動、2 通、常開、內部導控、座閥式、雙向截止、液壓螺紋插裝閥，用於要求低泄漏的負載保持應用。斷電時，V2570-29 允許油液雙向流動。通電後，閥芯關閉，截止油液從 A 流向 B 或 B 流向 A。



Graphic Symbol 繪圖符號

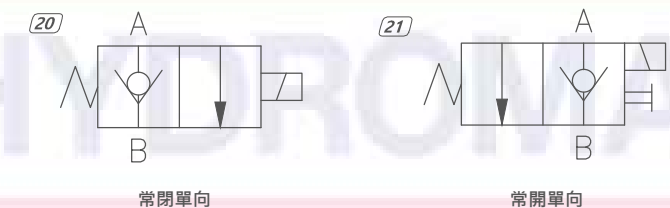


Ordering Code 型號說明

V2566 ¹ @ ² # ³ * ⁴ D24 ⁵ DG ⁶ 25 ⁷

1 Cartridge solenoid check valve 插入式電磁止回閥
V2566(08W-2) 二口二位 Poppet 2-way

2 Operation 油路方向功能選項



3 Option: with filter 附濾網裝置選項

S: With Filter 有濾網
N: Without Filter 無濾網

4 Option: with manual 附手動輔助裝置選項

P: Push-style Manual Override 推 (向外推移式)
M: Screw-out Konb Style 旋鈕式(開) 逆時鐘方向 ↺
T: Push and Twist Style 推桿附扭轉

N: Option 標準(輔助裝置不可調)
Screw-in Konb Style 旋鈕式(關) 順時鐘方向 ↻
Manual Override 固定輔助裝置

5 Coil type 線圈型式

D12: DC12V A22: AC220V
D24: DC24V A38: AC380V
A24: AC24V RA1: AC110V
A11: AC110V RA2: AC220V

6 Terminations 接線方式

DG: DIN43650 插頭式
DL: Lead wires(2) 出線2條式

7 Max pressure 最高壓力

25: 250bar(3500psi)

CARTRIDGE SOLENOID CHECK VALVE

插入式電磁止回閥

V2566 (HSV08)

Technical Data

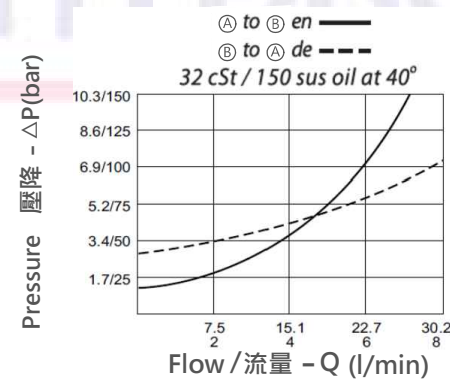
技術參數

Max. Operating Pressure 最高壓力	Rated Flow 額定流量	Cavity-Tooling 成型孔	Installation Torque 安裝扭矩	Weight 重量
bar(psi)	(l/min)		(Nm)	(kg)
250(3500)	23	08W-2	39-51	0.49

Fluids-Temperatures 使用油溫範圍	Internal Leakage 最大內漏量	Filtration 過濾精度	Minimum Voltage Required 線圈需要的最低電壓
(°C)	0.25cc/minute	(um)	
-40~120°C	(5 drops/minute) max. at 250 bar (5滴/每分) 壓降250bar時	25	90% of nominal 額定電壓的90%

Specifications

技術數據

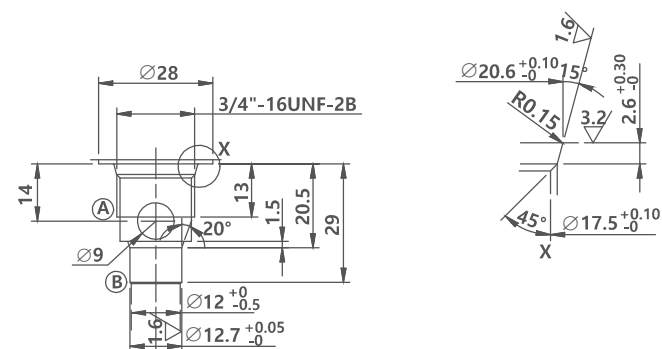


Cavity-Tooling

成型孔

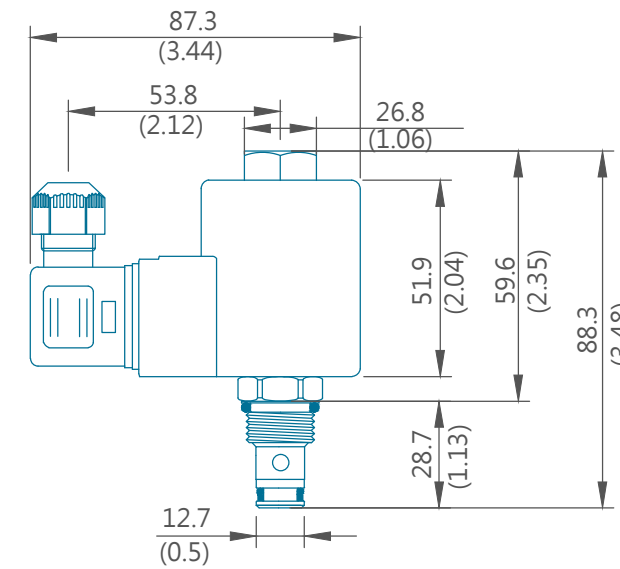
Millimeters (m/m)

0.03
0.02



Dimension

20-N-N外型尺寸圖 Millimeters / (inch)



Dimension

21-N-P外型尺寸圖 Millimeters / (inch)

